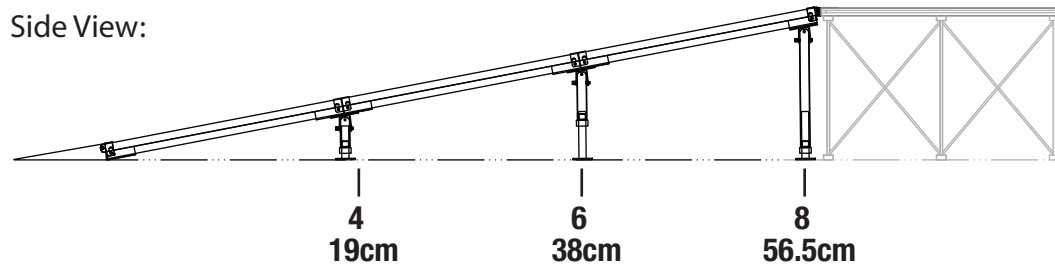
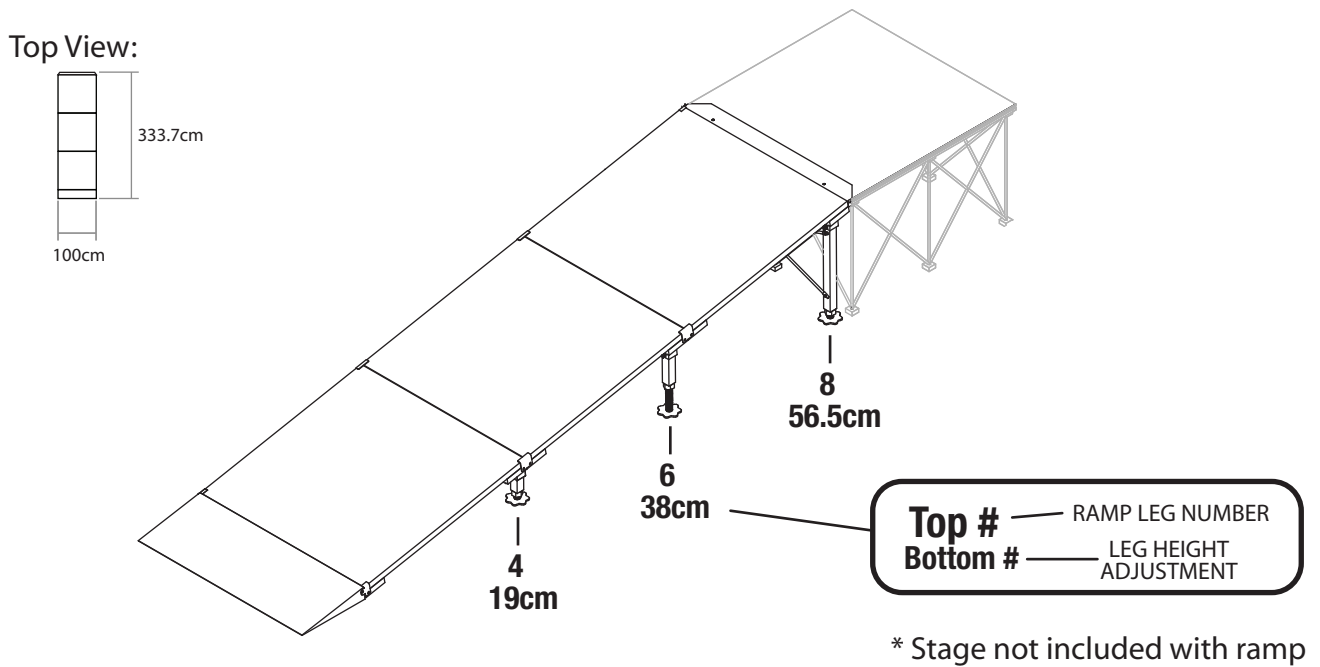


IS60RC, IS60RT, IS60RI



Equipment Ramp for 60cm High Stages



SKU	DESCRIPTION	PCS PER MASTER PACK	QTY IN SET
ISPE1X1CD or ISPE1X1TD or ISPE1X1ID	1 x 1mtr Carpet Finish Platforms 1 x 1mtr TuffCoat Finish Platforms 1 x 1mtr Industrial Finish Platforms	2	1
ISPE1X1CS or ISPE1X1TS or ISPE1X1IS	1 x 1mtr Carpet Finish Platform 1 x 1mtr TuffCoat Finish Platform 1 x 1mtr Industrial Finish Platform	1	1
ISERBP	Bottom ramp plate with mounting hardware	1	1
ISERCP	Platform connecting plate	1	1
ISERPF	Metal platform assembly plate	1	3
IS2AL4	Two pack of equipment ramp adjustable leg # 4 with hardware	2	1
IS2AL6	Two pack of equipment ramp adjustable leg # 6 with hardware	2	1
IS2AL8	Two pack of equipment ramp adjustable leg # 8 with hardware	2	1
ISELCB	Pack of cross bars for leg sets # 8 or 9	2	1